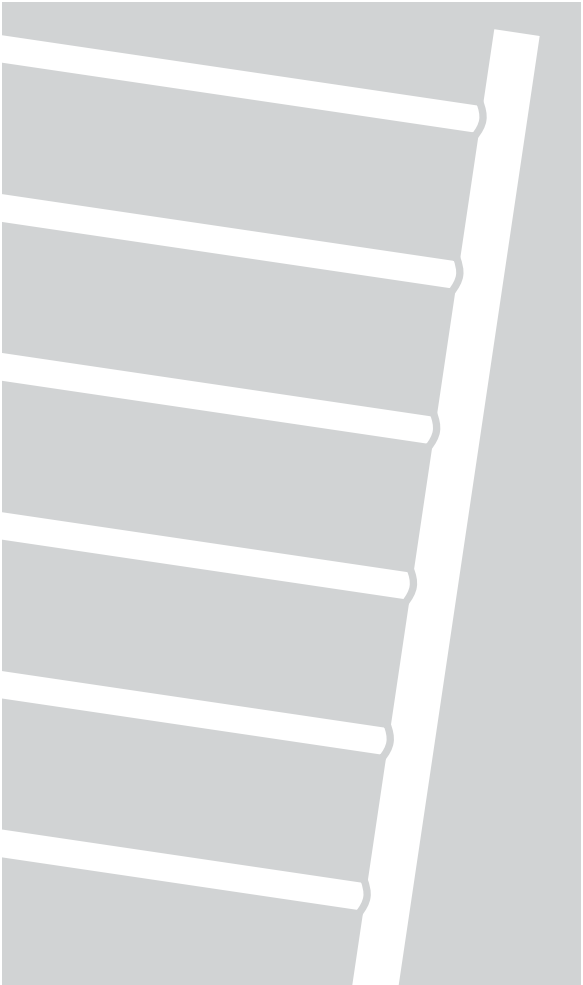


# Installation Manual

 m o d e l l e  
h e a t e d t o w e l r a i l s



**This product is manufactured to international standards:**

IEC335-1: 1991  
IEC60335-2-43, 1995  
AS/NZS3350.1.2002.

**IP Rating is IP34**

**Please read this manual carefully before installation.**

This appliance is rated for voltage 200v - 240v.

This appliance has to be connected to earth as it is used in bathrooms.

**Colour power connection =**

- green/yellow: Earth
- blue: Neutral
- brown: Phase (power)

If installed directly to fixed wiring, a qualified electrician must install this appliance in accordance with local wiring regulations and this instruction manual. A means of disconnection from the supply must be provided. If connected to the supply via a three-pin plug to a fixed socket, the plug must be accessible for disconnection. If the power cord is damaged the complete appliance should be returned to the manufacturer for repair.

**Caution:** If the appliance is connected via an extension cord or power board it must be positioned so that it is not subject to splashing, or ingress of water.

**Warning:** In order to avoid a hazard for young children, this appliance must be installed so that the bottom of the appliance is at least 600mm above the floor.

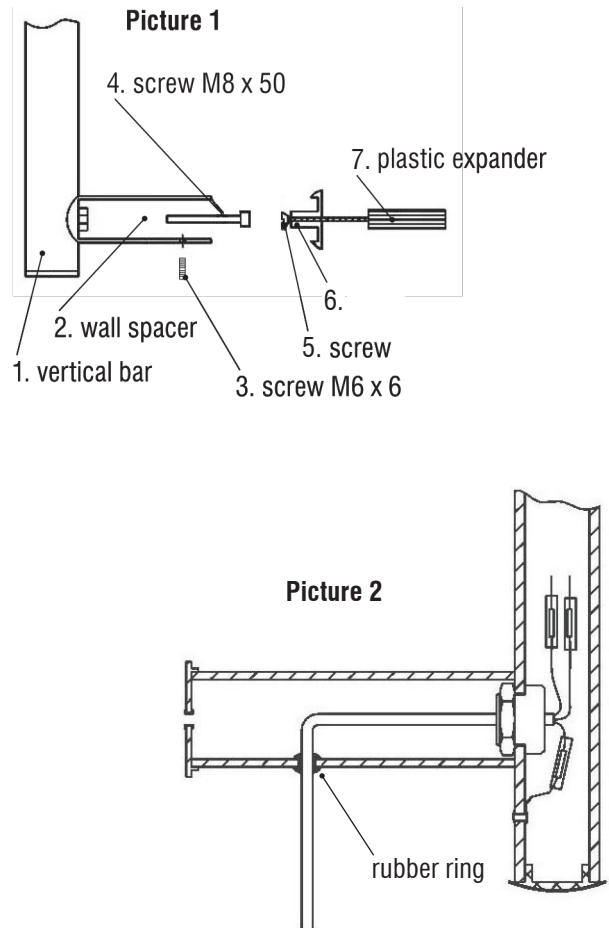
The appliance is not intended for use by young children or infirm persons without supervision. Young children should be supervised to ensure they do not play with the appliance.

### Pre-Installation

You have 2 options to connect the power. You need to choose which option is suitable for your installation – **One:** Standard Outside Power Cable Connection or **Two:** Hidden Power Cable Connection.

## 1. OUTSIDE CABLE CONNECTION > INSTALLATION

Use the 4 standard bases (No 6) as shown in picture 1 and outside power cable feed in picture 2 below.



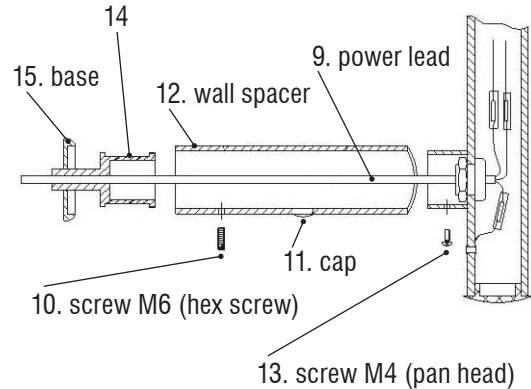
## Installation

### Feeding the power cable:

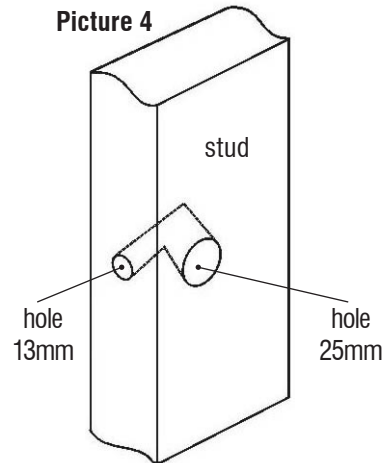
1. Remove the cap away from the hole at the bottom of the wall spacer bracket.
2. Insert the rubber ring in the hole.
3. While holding the rubber ring in place, pull the power cable through the hole, to make the cable available for power connection.
4. Ensure that when selecting the desired position for your Modelle Heated Towel Rail, that you have allowed enough connection cable length to connect to the power supply.
5. Fix the wall spacers, or legs (No 2) to the towel rail using screw (No 4)
6. Loosely position the 4 bases (No 6) and (No 15) on to the Modelle Heated Towel Rail.
7. Place the Modelle Heated Towel Rail on the desired wall position, and mark a "circle" around the circumference of all 4 bases.
8. Using a base as a guide, place it over all 4 marked positions, and mark your drill holes through the base centre.
9. Drill the holes and insert the plastic expanders. (No 7)
10. Fix the base in position using screw nail (No 5), and then position the heated towel warmer to the bases.
11. Fasten screw M6 (No 3) and (No 10), to hold the heated towel warmer.

## 2. HIDDEN POWER CABLE CONNECTION > INSTALLATION

Picture 3



Picture 4



**Picture 3 relates to the hidden cable connection, for lower left or right wall spacer, otherwise refer to picture 1 for the other 3 wall spacers.**

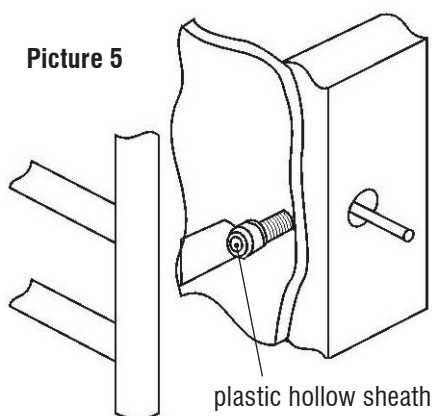
### Pre-Wire Preparation:

1. Drill a 13mm diameter hole into the face of the stud, where the base will sit, to accommodate the cable to be fed through. Drill the hole to a depth of 40mm.
2. Select the side of the stud facing the flush box, which will accommodate the cable feed. Then drill another 25mm diameter hole on that side of the stud at right angles to the first hole, until it meets with the base of the 13mm hole. See above picture 4.

3. Place a draw wire from the flush box position, through the 13mm hole, so the power cable can be pulled through exterior cladding at a later date.

### Installation:

1. Ensure that when selecting the desired position for your Modelle Heated Towel Rail, that you have allowed enough connection cable length to connect to the power supply.
2. Remove any exterior cladding around the draw wire to expose the 13mm hole and screw the plastic hollow sheath (No 14) in place, using the cross hole provided.



**Note:** With masonry walls, drill a 14mm diameter hole and fix the thread of the Plastic Hollow Sheath (No 14) in the hole position using epoxy resin, or a suitable builders adhesive. (Glue is provided) The thread of the hollow sheath should be flush with the outside cladding. (See picture 5.)

3. Fix the 3 standard wall spacers to the Modelle Heated Towel Rail using M8.
4. Loosely position the 3 standard bases (No 7) and the one hidden cable base to the towel warmer.
5. Place the heated towel warmer on the desired wall position, and mark a "circle" around the circumference of all 4 bases.
6. Using a base as a guide, place it over all 4 marked positions, and mark your drill holes through the base centre hole. (NOTE: The drill hole to accommodate the Plastic Hollow Sheath, for the hidden cable connection, needs to = at least 13mm diameter)
7. Draw-out the power cable through the hollow plastic sheath and fit to the hidden cable base (No 15). Do not use excessive force.
8. Attach the power cable to the draw wire and pull the cable through to the flush box position.
9. Now permanently fix all 4 bases to your Modelle Heated Towel Rail and mount the unit into position.

**Important Note:** Only use the screws provided so you do not damage the power cord and cause an electrical hazard.

### Warranty

For warranty information please see enclosed sheet or websites listed below.

  
h e a t e d t o w e l r a i l s

### Australia

Verve Distribution  
P.O. Box 494  
81 Brighton Rd, Glenelg SA 5019

[www.vervedistribution.com.au](http://www.vervedistribution.com.au)

